

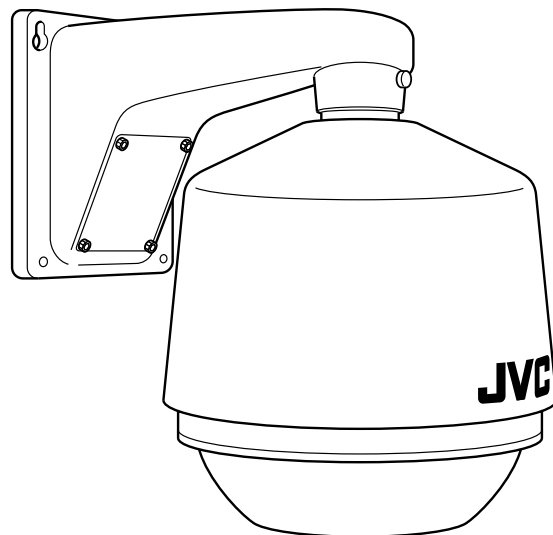


OUTDOOR HOUSING

WB-1540

WB-1550

INSTRUCTIONS



For Customer Use:

Enter below the Serial No. which is located on the body.
Retain this information for future reference.

Model No. WB-1540/WB-1550

Serial No. _____

These are general IMPORTANT SAFEGUARDS and certain items may not apply to all appliances.

IMPORTANT SAFEGUARDS

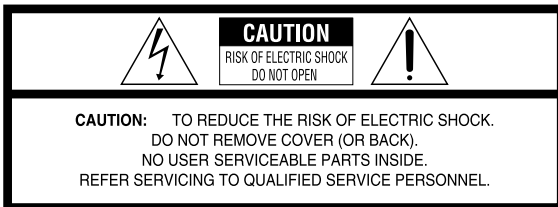
1. Read all of these instructions.
2. Save these instructions for later use.
3. All warnings on the product and in the operating instructions should be adhered to.
4. Unplug this appliance system from the wall outlet before cleaning. Do not use liquid cleaners or aerosol cleaners. Use a damp cloth for cleaning.
5. Do not use attachments not recommended by the appliance manufacturer as they may cause hazards.
6. Do not use this appliance near water - for example, near a bathtub, washbowl, kitchen sink, or laundry tub, in a wet basement, or near a swimming pool, etc.
7. Do not place this appliance on an unstable cart, stand, or table. The appliance may fall, causing serious injury to a child or adult, and serious damage to the appliance may fall, causing serious injury to a child or adult, and serious damage to the appliance.
Use only with a cart or stand recommended by the manufacturer, or sold with the appliance. Wall or shelf mounting should follow the manufacturer's instructions, and should use a mounting kit approved by the manufacturer. An appliance and cart combination should be moved with care. Quick stops, excessive force, and uneven surfaces may cause the appliance and cart combination to overturn.
8. Slots and openings in the cabinet and the back or bottom are provided for ventilation, and to insure reliable operation of the appliance and to protect it from overheating, these openings must not be blocked or covered. The openings should never be blocked by placing the appliance on a bed, sofa, rug, or other similar surface. This appliance should never be placed near or over a radiator or heat register. This appliance should not be placed in a built-in installation such as a bookcase unless proper ventilation is provided.
9. This appliance should be operated only from the type of power source indicated on the marking label. If you are not sure of the type of power supplied to your home, consult your dealer or local power company. For appliance designed to operate from battery power, refer to the operating instructions.
10. For added protection for this product during a lightning storm, or when it is left unattended and unused for long periods of time, unplug it from the wall outlet and disconnect the antenna or cable system. This will prevent damage to the product due to lightning and power-line surges.
11. Do not allow anything to rest on the power cord. Do not locate this appliance where the cord will be abused by persons walking on it.
12. Follow all warnings and instructions marked on the appliance.
13. Do not overload wall outlets and extension cords as this can result in fire or electric shock.
14. Never push objects of any kind into his appliance through cabinet slots as they may touch dangerous voltage points or short out parts that could result in a fire or electric shock. Never spill liquid of any kind on the appliance.
15. Do not attempt to service this appliance yourself as opening or removing covers may expose you to dangerous voltage or other hazards. Refer all servicing to qualified service personnel.
16. Unplug his appliance from the wall outlet and refer servicing to qualified service personnel under following conditions:
 - a. When the power cord or plug is damaged or frayed.
 - b. If liquid has been spilled into the appliance.
 - c. If the appliance has been exposed to rain or water.
 - d. If the appliance does not operate normally by following the operating instructions. Adjust only those controls that are covered by the operating instructions as improper adjustment of other controls may result in damage and will often require extensive work by a qualified technician to restore the appliance to normal operation.
 - e. If the appliance has been dropped or the cabinet has been damaged.
 - f. When the appliance exhibits a distinct change in performance - this indicates a need for service.
17. When replacement parts are required, be sure the service technician has used replacement parts specified by the manufacturer that have the same characteristics as the original part. Unauthorized substitutions may result in fire, electric shock, or other hazards.
18. Upon completion of any service or repairs to this appliance, ask the service technician to perform routine safety checks to determine that the appliance is in safe operating condition.

PORTABLE CART WARNING
(symbol provided by RETAC)



S3125A

For USA and CANADA



The lightning flash with arrowhead symbol, within an equilateral triangle, is intended to alert the user to the presence of uninsulated "dangerous voltage" within the product's enclosure that may be of sufficient magnitude to constitute a risk of electric shock to persons.



The exclamation point within an equilateral triangle is intended to alert the user to the presence of important operating and maintenance (servicing) instructions in the literature accompanying the appliance.

WARNING

TO PREVENT FIRE OR SHOCK HAZARD, DO NOT EXPOSE THIS UNIT TO RAIN OR MOISTURE.

Information for USA
This device complies with Part 15 of the FCC Rules.
Changes or modifications not approved by JVC could void the user's authority to operate the equipment.

INFORMATION (FOR CANADA) RENSEIGNEMENT (POUR LE CANADA)

This Class [B] digital apparatus complies with Canadian ICES-003.
Cet appareil numérique de la classe [B] est conforme à la norme NMB-003 du Canada.

Due to design modification, data given in this instruction book are subject to possible change without prior notice.

Information for Users on Disposal of Old Equipment

ENGLISH



[European Union]

This symbol indicates that the electrical and electronic equipment should not be disposed of as general household waste at its end-of-life. Instead, the product should be handed over to the applicable collection point for the recycling of electrical and electronic equipment for proper treatment, recovery and recycling in accordance with your national legislation.

By disposing of this product correctly, you will help to conserve natural resources and will help prevent potential negative effects on the environment and human health which could otherwise be caused by inappropriate waste handling of this product. For more information about collection point and recycling of this product, please contact your local municipal office, your household waste disposal service or the shop where you purchased the product.

Penalties may be applicable for incorrect disposal of this waste, in accordance with national legislation.

Attention:

This symbol is only valid in the European Union.

(Business users)

If you wish to dispose of this product, please visit our web page www.jvc-europe.com to obtain information about the take-back of the product.

[Other Countries outside the European Union]

If you wish to dispose of this product, please do so in accordance with applicable national legislation or other rules in your country for the treatment of old electrical and electronic equipment.

Benutzerinformationen zur Entsorgung alter Geräte

DEUTSCH



[Europäische Union]

Dieses Symbol zeigt an, dass das elektrische bzw. elektronische Gerät nicht als normaler Haushaltsabfall entsorgt werden soll. Stattdessen sollte das Produkt zur fachgerechten Entsorgung, Weiterverwendung und Wiederverwertung in Übereinstimmung mit der Landesgesetzgebung einer entsprechenden Sammelstelle für das Recycling elektrischer und elektronischer Geräte zugeführt werden.

Die korrekte Entsorgung dieses Produkts dient dem Umweltschutz und verhindert mögliche Schäden für die Umwelt und die menschliche Gesundheit, welche durch unsachgemäße Behandlung des Produkts auftreten können. Weitere Informationen zu Sammelstellen und dem Recycling dieses Produkts erhalten Sie bei Ihrer Gemeindeverwaltung, Ihrem örtlichen Entsorgungsunternehmen oder in dem Geschäft, in dem Sie das Produkt gekauft haben.

Für die nicht fachgerechte Entsorgung dieses Abfalls können gemäß der Landesgesetzgebung Strafen ausgesprochen werden.

Hinweis:

Dieses Symbol ist nur in der Europäischen Union gültig.

(Geschäftskunden)

Wenn Sie dieses Produkt entsorgen möchten, besuchen Sie bitte unsere Webseite www.jvc-europe.com, um Informationen zur Rücknahme des Produkts zu erhalten.

[Andere Länder außerhalb der Europäischen Union]

Wenn Sie dieses Produkt entsorgen möchten, halten Sie sich dabei bitte an die entsprechenden Landesgesetze und andere Regelungen in Ihrem Land zur Behandlung elektrischer und elektronischer Geräte.

Informations relatives à l'élimination des appareils usagés, à l'intention des utilisateurs

FRANÇAIS



[Union européenne]

Lorsque ce symbole figure sur un appareil électrique et électronique, cela signifie qu'il ne doit pas être éliminé en tant que déchet ménager à la fin de son cycle de vie. Le produit doit être porté au point de pré-collecte approprié au recyclage des appareils électriques et électroniques pour y subir un traitement, une récupération et un recyclage, conformément à la législation nationale.

En éliminant correctement ce produit, vous contribuez à la conservation des ressources naturelles et à la prévention des éventuels effets négatifs sur l'environnement et la santé humaine, pouvant être dus à la manipulation inappropriée des déchets de ce produit. Pour plus d'informations sur le point de pré-collecte et le recyclage de ce produit, contactez votre mairie, le service d'évacuation des ordures ménagères ou le magasin dans lequel vous avez acheté le produit.

Des amendes peuvent être infligées en cas d'élimination incorrecte de ce produit, conformément à la législation nationale.

Attention:

Ce symbole n'est reconnu que dans l'Union européenne.

(Utilisateurs professionnels)

Si vous souhaitez éliminer ce produit, visitez notre page Web www.jvc-europe.com afin d'obtenir des informations sur sa récupération.

[Pays ne faisant pas partie de l'Union européenne]

Si vous souhaitez éliminer ce produit, faites-le conformément à la législation nationale ou autres règles en vigueur dans votre pays pour le traitement des appareils électriques et électroniques usagés.

Información para los usuarios sobre la eliminación de equipos usados

CASTELLANO



[Unión Europea]

Este símbolo indica que los aparatos eléctricos y electrónicos no deben desecharse junto con la basura doméstica al final de su vida útil. El producto deberá llevarse al punto de recogida correspondiente para el reciclaje y el tratamiento adecuado de equipos eléctricos y electrónicos de conformidad con la legislación nacional.

Si desecha el producto correctamente, estará contribuyendo a conservar los recursos naturales y a prevenir los posibles efectos negativos en el medio ambiente y en la salud de las personas que podría causar el tratamiento inadecuado del producto desechado. Para obtener más información sobre el punto de recogida y el reciclaje de este producto, póngase en contacto con su oficina municipal, su servicio de recogida de basura doméstica o la tienda en la que haya adquirido el producto.

De acuerdo con la legislación nacional, podrían aplicarse multas por la eliminación incorrecta de estos desechos.

Atención:

Este símbolo solo es válido en la Unión Europea.

(Empresas)

Si desea desechar este producto, visite nuestra página Web www.jvc-europe.com para obtener información acerca de la retirada del producto.

[Otros países no pertenecientes a la Unión Europea]

Si desea desechar este producto, hágalo de conformidad con la legislación nacional vigente u otras normativas de su país para el tratamiento de equipos eléctricos y electrónicos usados.

Informazioni per gli utenti sullo smaltimento delle apparecchiature obsolete

ITALIANO



[Unione Europea]

Questo simbolo indica che l'apparecchiatura elettrica ed elettronica a cui è relativo non deve essere smaltita tra i rifiuti domestici generici alla fine della sua vita utile. Il prodotto, invece, va consegnato a un punto di raccolta appropriato per il riciclaggio di apparecchiature elettriche ed elettroniche, per il trattamento, il recupero e il riciclaggio corretti, in conformità alle proprie normative nazionali.

Mediante lo smaltimento corretto di questo prodotto, si contribuirà a preservare le risorse naturali e a prevenire potenziali effetti negativi sull'ambiente e sulla salute umana che potrebbero essere provocati, altrimenti, da uno smaltimento inappropriato del prodotto. Per ulteriori informazioni sul punto di raccolta e il riciclaggio di questo prodotto, contattare la sede comunale locale, il servizio di smaltimento rifiuti domestici o il negozio in cui si è acquistato il prodotto.

L'utente è responsabile del conferimento dell'apparecchio a fine vita alle appropriate strutture di raccolta, pena le sanzioni previste dalla vigente legislazione sui rifiuti.

Attenzione:

Questo simbolo è valido solo nell'Unione Europea.

(Per gli utenti aziendali)

Qualora si desideri smaltire questo prodotto, visitare la nostra pagina web www.jvc-europe.com per ottenere informazioni sul ritiro del prodotto.

[Per altre nazioni al di fuori dell'Unione Europea]

Qualora si desideri smaltire questo prodotto, effettuare lo smaltimento in conformità alla normativa nazionale applicabile o alle altre leggi della propria nazione relative al trattamento delle apparecchiature elettriche ed elettroniche obsolete.

Getting Started

Thank you for purchasing this product. (These instructions are for WB-1540U/ WB-1550U)
 Before beginning to operate this unit, please read the instruction manual carefully in order to make sure that the best possible performance is obtained.

The compatible cameras for each housing are as follows:

- WB-1540: TK-C625U/E, VN-C625U
- WB-1550: TK-C676E, TK-C655E, VN-C655U

Table of Contents

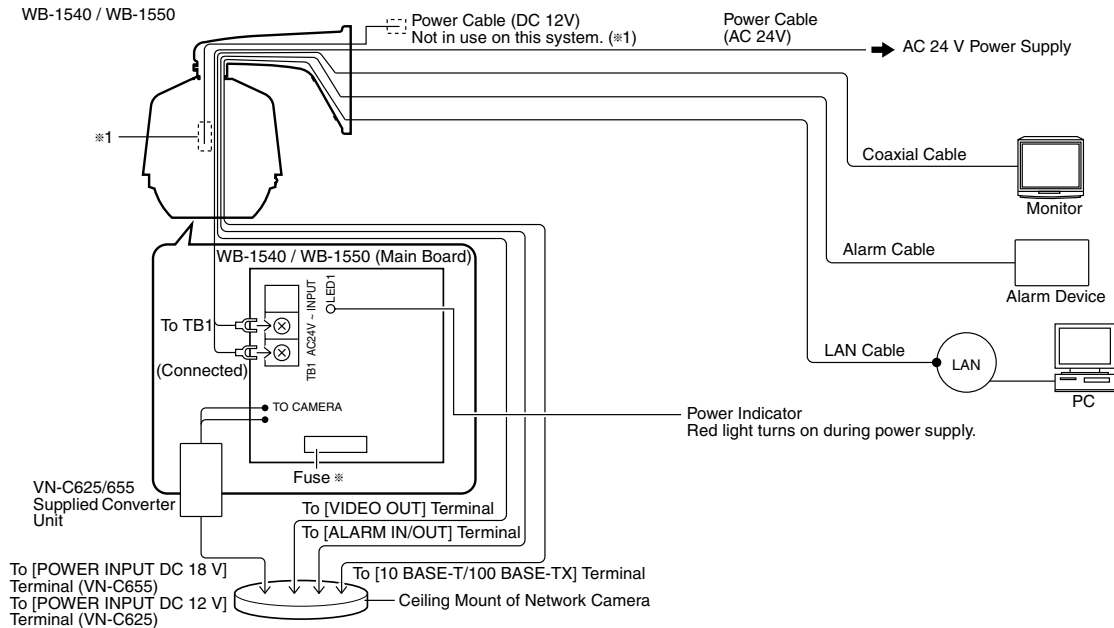
Getting Started		Installation and Connection (WB-1550)	
Table of Contents	4	Disassembling the Housing	10
Operating Precautions	4	Procedures Before Mounting the Camera	10
System Example	5	Mounting the Camera	11
VN-C625 and VN-C655 Systems	5	TK-C655 and TK-C676	11
TK-C625, TK-C655 and TK-C676 Systems	5	VN-C655	12
Installation and Connection (WB-1540)		Assembling the Housing	13
Disassembling the Housing	6	Mounting the Housing to the wall	13
Mounting the Camera	6	Others	
TK-C625	6	Specifications	15
VN-C625	7	WB-1540	15
Assembling the Housing	8	WB-1550	15
Mounting the Housing to the wall	8		

Operating Precautions

- Depending on the installation environment of this unit, the life span of the attached camera may decrease significantly. Give close attention to the installation location (especially if used continuously under high temperature or in locations constantly exposed to direct sunlight).
- As the interior of this unit will heat up, be sure to use San Disk (industrial) if loading the CF card to VN-C625.
- This unit may stop functioning properly due to natural hazards as it is to be installed outdoors. To take photographs properly, be sure to perform daily checks.
- Do not install this unit in locations with sharp temperature changes, such as near air-con compressors or exhaust-pipes. Condensation may occur inside the attached combination camera.
- To save energy, switch off the system when not in use.
- For safety reasons special techniques are necessary for installation. Consult your dealer regarding installation, and ensure that it is carried out by a specialist.
- Be sure to mount the safety wire for safety purposes. If it falls, it may cause injury or accidents.
- Taking vibrations, mass and wind force into account, ensure to mount in a location with sufficient strength using solid anchor bolts. If reinforced or spiral nuts are not tightened enough, picture blurring may occur on the monitor screen due to vibration, and in the worst case there is a danger of falling.
- Use at the voltage indicated. A voltage other than that displayed may result in fire or electric shocks.
- This unit supports lightning conduction to the connection cable to some extent, but not fully. At installation locations where there may be a lightning hazard, be sure to add an arrester to the connection cable or take other precautions.
- Do not dangle, shake, or hook objects. If too much load is placed on top, it may fall and cause injury or accidents.
- If a ball or bird hits this unit, bringing about some sort of trouble, consult your dealer or the nearest Victor service center.
- Do not modify this unit yourself. Accidents may result.
- Do not install in locations where there may be vibrations or impact. If it falls, it may cause injury or accidents.
- Regularly check for the deterioration of attaching parts and the loosening of the screws caused by vibrations. If it falls, it may cause injury or accidents.
- Do not install in locations where radiation, X-rays, or corrosive gases are emitted. Doing so may cause the camera to malfunction.
- Keep all packaging out of the reach of children. If used for play, it may cause injury or suffocation.

System Example

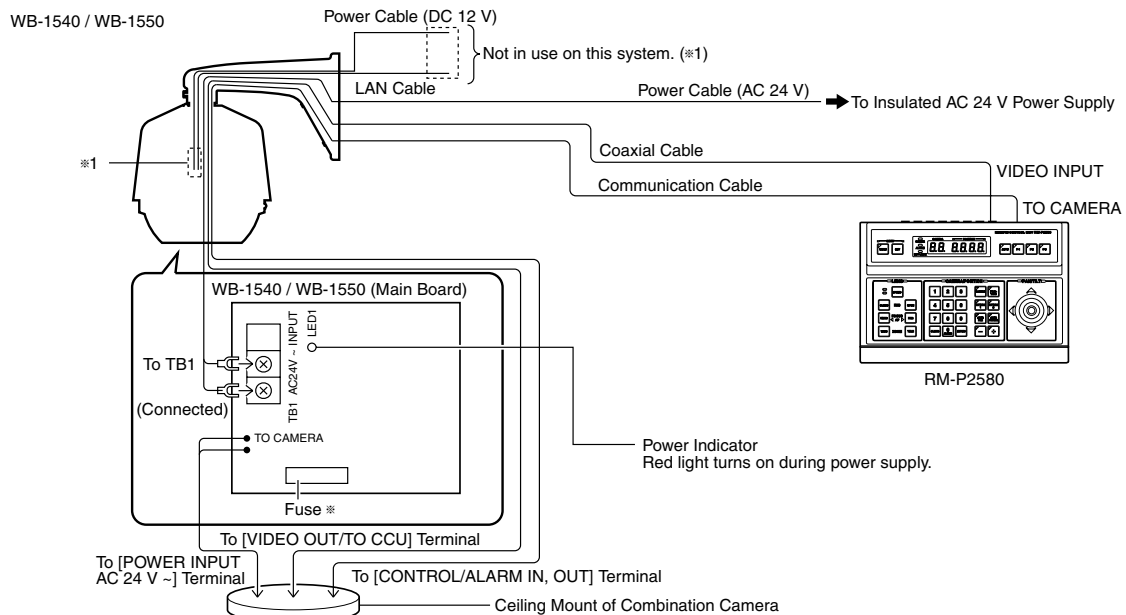
VN-C625 and VN-C655 Systems



CAUTION:

- *1: Not in use on this system. Ensure to bind both ends of cables that are not in use with insulating tape.
- *2: Power will not be supplied to this unit and the installed camera when the fuse on the main board burns out. When this occurs, please consult your nearby JVC dealer as exchange of fuse according to the rating (125 V – 5 A) will be required.

TK-C625, TK-C655 and TK-C676 Systems

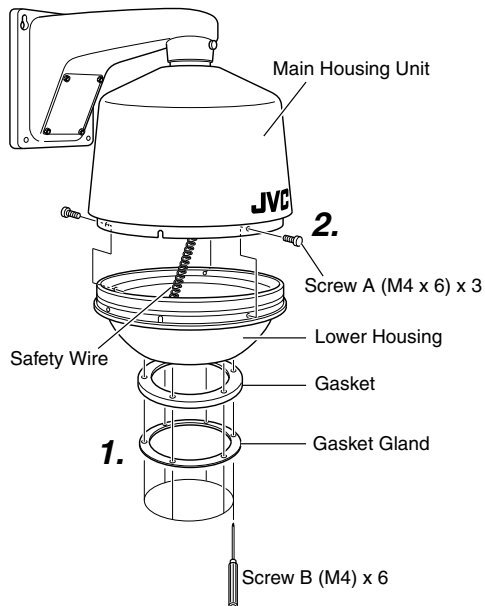


CAUTION:

- Ensure to turn of the power of devices in use before connecting.
- Refer to the instruction manual for the combination camera that is supplied with this unit as well during connection and installation.
- *1: Not in use on this system. Ensure to bind both ends of cables that are not in use with insulating tape.
- *2: Power will not be supplied to this unit and the installed camera when the fuse on the main board burns out. When this occurs, please consult your nearby JVC dealer as exchange of fuse according to the rating (125 V – 5 A) will be required.

Installation and Connection (WB-1540)

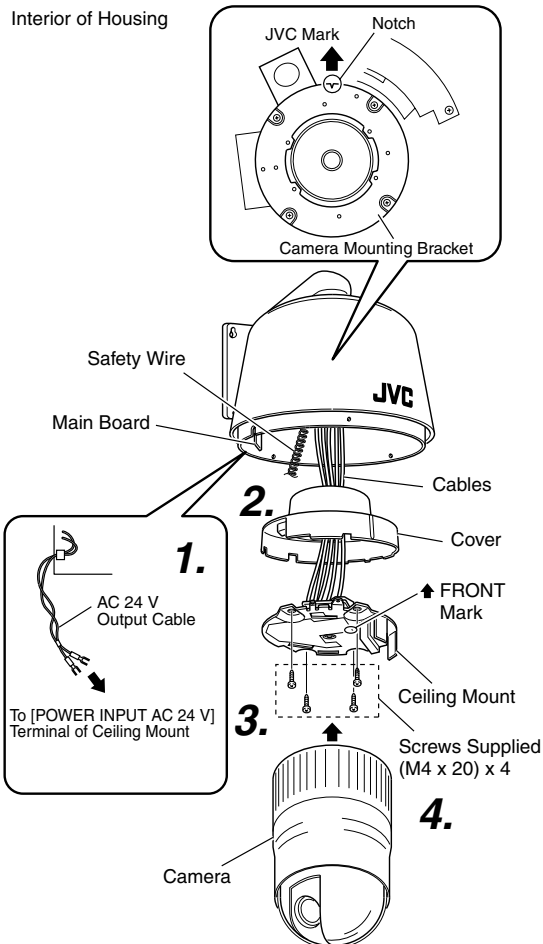
Disassembling the Housing



- 1. Dismantle the gasket and gasket gland**
Loosen the 6 Screws B (M4) using a driver, followed by dismantling the gasket and gasket gland from the lower housing.
※ The 6 Screws B (M4) cannot be totally removed from the gasket to prevent it from falling off.
- 2. Dismantle the lower housing**
Loosen the 3 Screws A (M4 x 6) using a driver, followed by dismantling the lower housing from the main housing unit.
※ The lower housing is connected to the main housing unit using a safety wire.

CAUTION:
Pay careful attention to store the dismantled parts and screws until assembly is complete to prevent them from being misplaced.

Mounting the Camera (TK-C625)



Before mounting.
Remove the ceiling mount cover of the camera and guide the cables supplied with WB-1540 through the cover.
※ For further details, please refer to the instruction manual of the camera in use.

- 1. Connect the AC 24 V output cable to the camera**
Connect the AC 24 V output cable of the main board to the camera's ceiling mount bracket.
- 2. Connect other cables**
Connect the necessary cables supplied with the housing (coaxial video cable, communication cable, etc.) to the ceiling mount.

CAUTION:

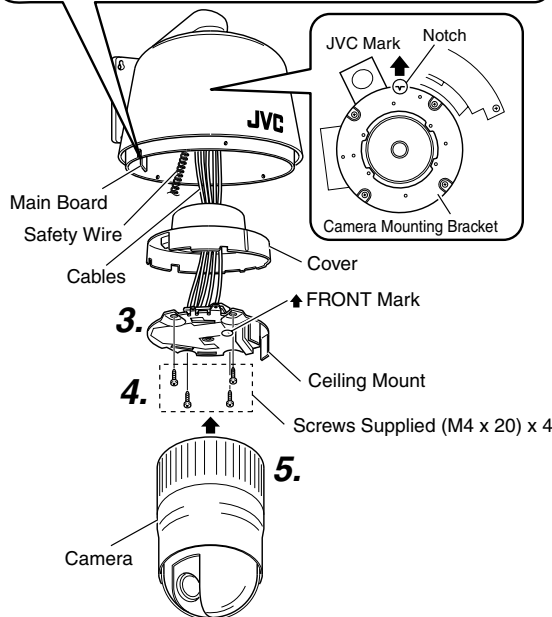
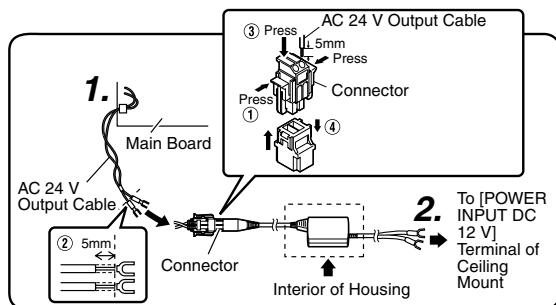
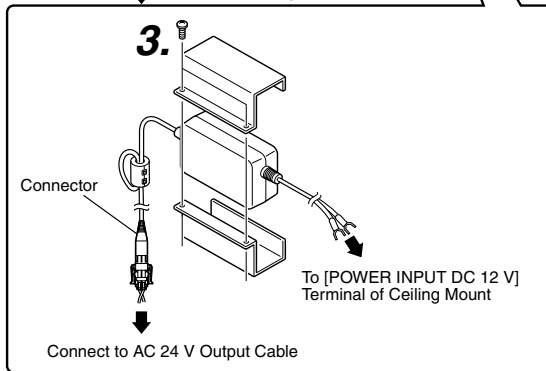
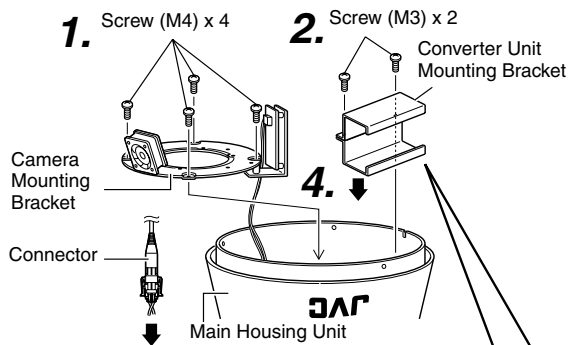
- Connect the communication cable to the [ALARM IN/OUT] and [CONTROL] terminals if necessary. For safety reasons, ensure to cut off any excess cable and bind using an insulating tape before use.
- For further details on connection, please refer to the instruction manual of the camera in use.
- Ensure to bind connectors of LAN cables and DC 12 V Power Cable that are not in use with an insulating tape before use.

- 3. Mount the camera's ceiling mount to the main housing unit.**
Use the 4 screws supplied (M4 x 20) to mount the ceiling mount to the main housing unit.

NOTE:
During mounting, align the [↑ FRONT] Mark of the ceiling mount with the notch on the camera mount bracket of the main housing unit.

- 4. Mount the camera to the ceiling mount**
Follow instructions in the manual of the camera in use to mount the camera to the ceiling mount.

Mounting the Camera (VN-C625)



Preparation

- 1. Dismantle the camera mounting bracket**
Loosen the screws on the camera mounting bracket (M4, 4 pcs) using a driver to dismantle it.
- 2. Dismantle the converter unit mounting bracket**
Loosen the screws on the converter unit mounting bracket (M3, 2 pcs) using a driver to dismantle it.
- 3. Mount the converter unit to the housing**
Clamp the converter unit using the converter unit mounting bracket, followed by mounting it to the housing using the screws (M3, 2 pcs) removed in Step 2. When mounting, pay attention to the orientation of the converter unit as shown in the left diagram.
- 4. Mount the camera mounting bracket**
Mount the camera mounting bracket dismantled in step 1. to the housing. Mount it exactly to the original position.

Mounting

Before mounting.

Remove the ceiling mount cover of the camera and guide the cables supplied with WB-1540 through the cover.
※ For further details, please refer to the instruction manual of the camera in use.

- 1. Connect the AC 24 V output cable to the converter unit.**
Follow the procedures below to connect the AC 24 V output cable of the main board on the main housing unit to the converter unit.
 - ① Push both ends of the connector as shown in the left diagram to remove it from the supplied converter unit.
 - ② Cut the Y terminal of the AC 24 V output cable and peel off about 5 mm of the coating.
 - ③ Push the arrow mark using tools such as a flat-head screwdriver to insert the coating of the AC 24 V output cable into the connector.
 - ④ Attach the connector to the converter unit.
- 2. Mount the Y terminal of the converter unit to the ceiling mount of VN-C625.**
Guide the Y terminal of the converter unit through the ceiling mount cover, followed by connecting it to the [POWER INPUT DC 12 V] terminal of VN-C625's ceiling mount.
- 3. Connect other cables**
Connect the necessary cables supplied with the housing (coaxial video cable, alarm signal cable, LAN cable, etc.) to the corresponding terminals on the ceiling mount.

CAUTION:

- Connect the communication cable to the alarm terminal if necessary. In addition, DC 12 V Power Cable is not in use on this system. For safety reasons, ensure to cut off any excess cable and bind using an insulating tape before use.
- For further details on connection, please refer to the instruction manual of the camera in use.

4. Mount the camera's ceiling mount to the main housing unit.

Use the 4 screws supplied (M4 x 20) to mount the ceiling mount to the main housing unit.

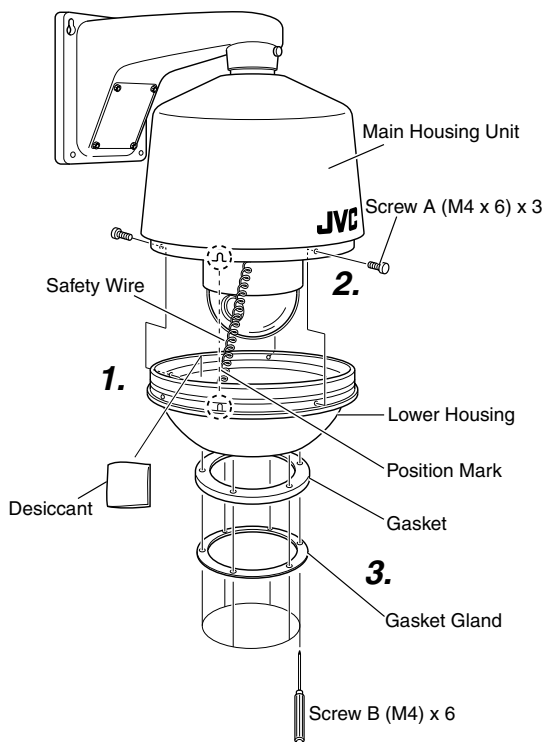
NOTE:

During mounting, align the [↑ FRONT] mark of the ceiling mount with the notch on the camera mount bracket of the main housing unit.

5. Mount the camera to the ceiling mount

Follow instructions in the manual of the camera in use to mount the camera to the ceiling mount.

Assembling the Housing



1. Adhering the desiccant

Use a tape to adhere the supplied desiccant to the interior of the lower housing.

CAUTION:

- Fogging may occur when there are drastic temperature changes. In this case, continue using without turning off the power.
- Pay attention when handling the desiccant in order to maintain its effectiveness.
 - Do not remove it from the bag until you are about to use it.
 - Do not wet it or touch it with wet hands.
 - Assemble promptly upon adhering the desiccant.
 - Be sure to replace the desiccant during maintenance.

2. Mount the lower housing

Mount the lower housing that is dismantled in Step 2. (pg. 10) to the main housing unit using the 3 Screws A (M4 x 6).

Do so by aligning the position marks of the lower housing and the main housing unit.

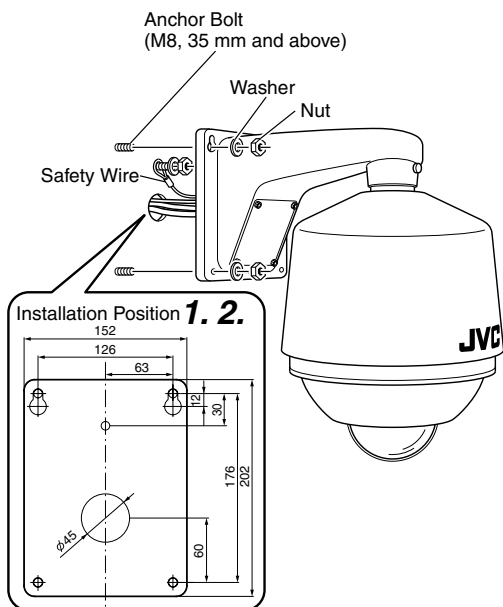
3. Mount the gasket and gasket gland

Mount the gasket and gasket gland that are dismantled in Step 1. (pg. 10) of the housing disassembly procedure to the lower housing using the 6 Screws B (M4).

CAUTION:

- During assembly, ensure that wires and cables are not caught in the housing.
- Do not exert force unnecessarily on the gasket or twist it during mounting.
- Check to ensure that the gasket is in close contact with the camera.

Mounting the Housing to the wall



1. Drill a hole into the wall.

Drill a hole (\varnothing 45 mm) for inserting the connection cable. (Refer to left fig.)

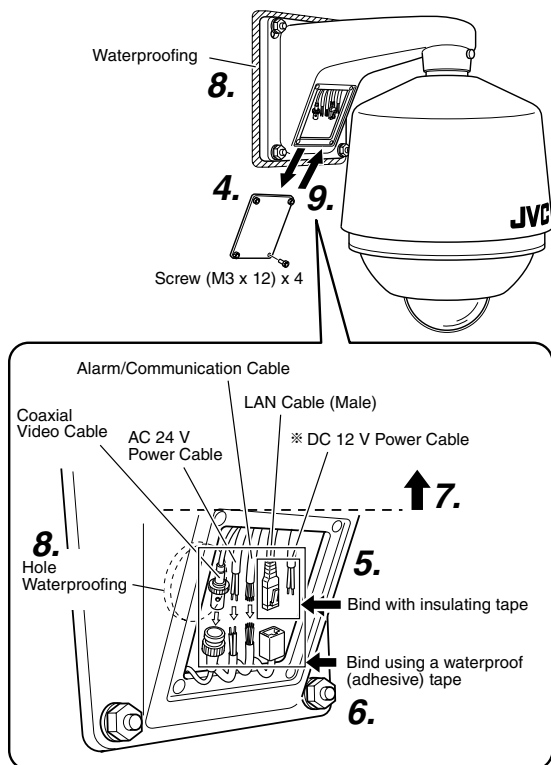
2. Affix anchor bolts onto the wall.

- Affix 4 anchor bolts (M8, 35 mm and above) for attaching the housing. (Refer to left fig.)
- Affix an anchor bolts for attaching the safety wire, in the middle (about 60 mm from both ends) of the 2 upper anchor bolts, 30 mm from the top. (Refer to left fig.)

3. Mount the safety wire and arm to the wall.

- Mount the safety wire attached to the housing, to the anchor bolts using the nut and wire.
- Use the nut and wire to mount the housing onto the wall.

Mounting the Housing to the Wall (continued)



※ Not in use on this system.

4. Open the cable connection cover

Use provided hexagon wrench to remove the 4 screws (M3 x 12) from the cable connection cover to open it.

5. Connect each cable

Connect the necessary cables.

NOTES:

- When connecting to TK-C625, ensure to bind connectors of LAN cables that are not in use with an insulating tape before using.
- Ensure to bind the DC 12 V Power Cable that is not in use on this system with insulating tape.

6. Bind cable using a waterproof tape

Upon connecting, ensure to perform waterproofing procedures by binding the joint of each cable with a waterproof (adhesive) tape.

CAUTION:

For safety reasons, turn on the power only upon connecting all cables.

7. Fasten the cables in the interior of the arm

When waterproofing is complete, insert the cables into the upper interior of the arm and fasten using a tape.

CAUTION:

When inserting the cables, ensure that all cable connections are above the cable connection cover (see dotted line in the left diagram 7.).

Failure to do so may cause malfunctions due to penetration of rain water.

8. Cover the hole and the mounting side of housing with waterproof seal.

After the cables have been connected, cover the holes made in step 1. with waterproof seal. With the Cable connection cover open, put your hand in and cover the hole. Cover the mounting side of the housing with waterproof seal.

NOTE:

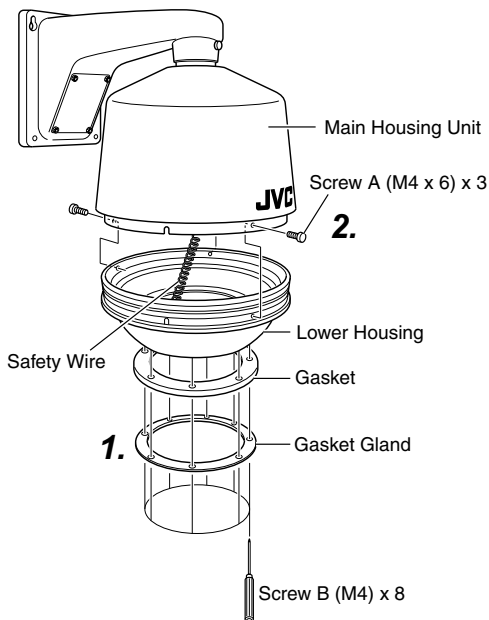
Be sure to perform waterproofing. Seepage of rainwater may result in malfunction.

9. Close the cable connection cover

When cable connection is complete, close the cable connection cover and fasten 4 screws (M3 x 12) removed in step 4. using the provided hexagon wrench.

Installation and Connection (WB-1550)

Disassembling the Housing



1. Dismantle the gasket and gasket gland

Loosen the 8 Screws B (M4) using a driver, followed by dismantling the gasket and gasket gland from the lower housing.

※ The 8 Screws B (M4) cannot be totally removed from the gasket to prevent it from falling off.

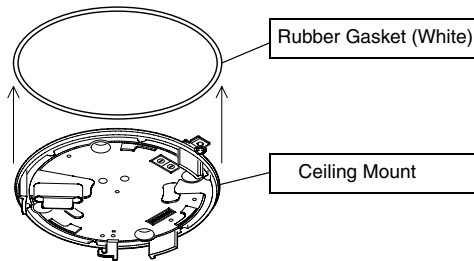
2. Dismantle the lower housing

Loosen the 3 Screws A (M4 x 6) using a driver, followed by dismantling the lower housing from the main housing unit.

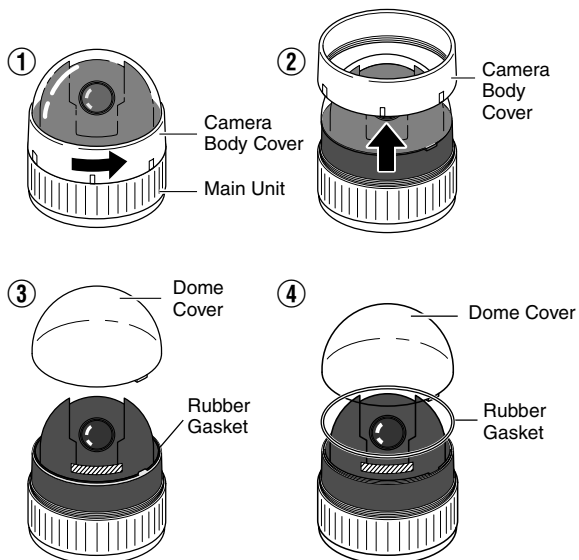
※ The lower housing is connected to the main housing unit using a safety wire.

Procedures Before Mounting the Camera

1.



2.



1. Dismantle the rubber gasket of the camera's ceiling mount

Dismantle the rubber gasket (white) on the same side as the ceiling mount of the combination camera to be installed.

2. Dismantle the rubber gasket in the interior of the camera

Follow the procedures below to remove the rubber gasket from the interior of the combination camera.

① Turn the camera body cover in the direction as indicated in the left diagram.

(When the camera body cover is tight and cannot be turned, do so upon fastening the main unit.)

② Dismantle the camera body cover.

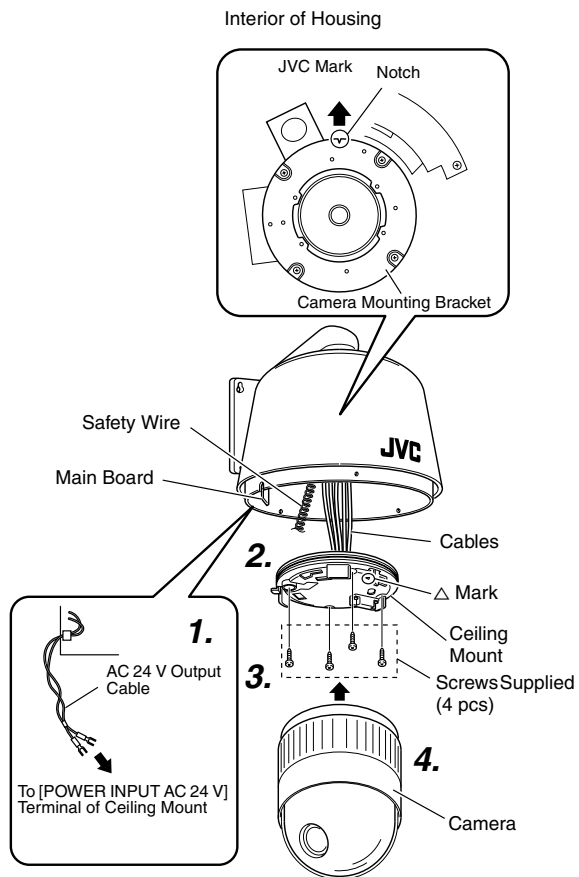
③ Dismantle the dome cover.

④ Remove the rubber gasket and restore the dome cover and camera body cover to their original positions.

CAUTION:

- The combination camera is an enclosed unit. In order to prevent fogging in the interior of the dome cover, ensure to remove the rubber gasket (2 types) before use.
- Do not remove the combination camera from the housing and use it singly after removing the rubber gasket and installing to the housing. Doing so may cause the camera to malfunction.

Mounting the Camera (TK-C655 and TK-C676)



1. Connect the AC 24 V output cable to the camera
Connect the AC 24 V output cable to the ceiling mount of the camera to be installed.

2. Connect other cables
Connect the coaxial video cable and communication cables (alarm signal, control terminal, etc.) supplied with the housing to the ceiling mount.

CAUTION:

- Connect the communication cable to the [ALARM IN/OUT] and [CONTROL] terminals if necessary. For safety reasons, ensure to cut off any excess cable and bind using an insulating tape before use.
- For further details on connection, please refer to the instruction manual of the camera in use.
- Ensure to bind connectors of LAN cables and DC 12 V Power Cable that are not in use with an insulating tape before use.

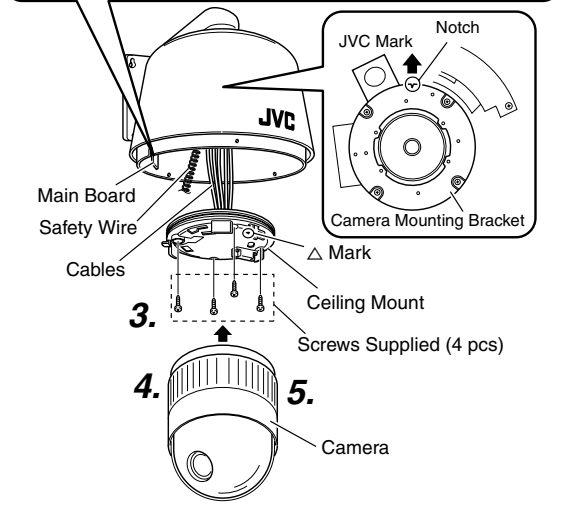
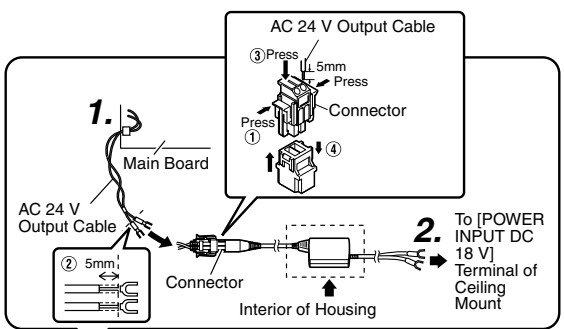
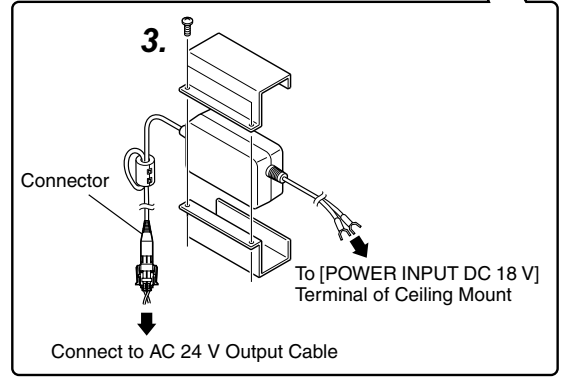
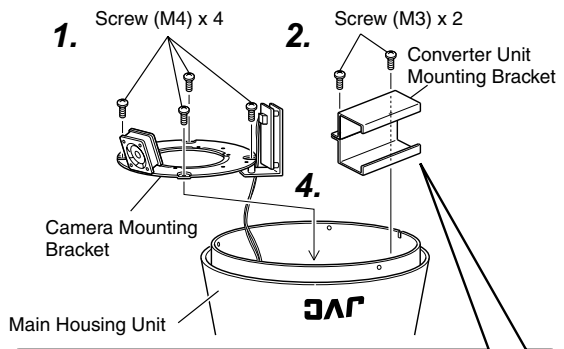
3. Mount the ceiling mount of the camera to the main housing unit
Use the 4 screws supplied to mount the ceiling mount to the main housing unit.

CAUTION:

During mounting, align the Δ mark of the ceiling mount with the notch on the camera mount bracket of the main housing unit.

4. Mount the camera to the ceiling mount
Follow instructions in the manual of the camera to be installed to mount the camera to the ceiling mount.

Mounting the Camera (VN-C655)



Preparation

- 1. Dismantle the camera mounting bracket**
Loosen the screws on the camera mounting bracket (M4, 4 pcs) using a driver to dismantle it.
- 2. Dismantle the converter unit mounting bracket**
Loosen the screws on the converter unit mounting bracket (M3, 2 pcs) using a driver to dismantle it.
- 3. Mount the converter unit to the housing**
Clamp the converter unit using the converter unit mounting bracket, followed by mounting it to the housing using the screws (M3, 2 pcs) removed in Step 2. When mounting, pay attention to the orientation of the converter unit as shown in the left diagram.
- 4. Mount the camera mounting bracket**
Mount the camera mounting bracket dismantled in step 1. to the housing. Mount it exactly to the original position.

Mounting

Before mounting.
Remove the ceiling mount cover of the camera and guide the cables supplied with WB-1550 through the cover.
* For further details, please refer to the instruction manual of the camera in use.

- 1. Connect the AC 24 V output cable to the converter unit.**
Follow the procedures below to connect the AC 24 V output cable of the main board on the main housing unit to the converter unit.
 - ① Push both ends of the connector as shown in the left diagram to remove it from the supplied converter unit.
 - ② Cut the Y terminal of the AC 24 V output cable and peel off about 5 mm of the coating.
 - ③ Push the arrow mark using tools such as a flat-head screwdriver to insert the coating of the AC 24 V output cable into the connector.
 - ④ Attach the connector to the converter unit.
- 2. Mount the Y terminal of the converter unit to the ceiling mount of VN-C655.**
Guide the Y terminal of the converter unit through the ceiling mount cover, followed by connecting it to the [POWER INPUT DC 18 V] terminal of VN-C655's ceiling mount.
- 3. Connect other cables**
Connect the necessary cables supplied with the housing (coaxial video cable, alarm signal cable, LAN cable, etc.) to the corresponding terminals on the ceiling mount.

CAUTION:

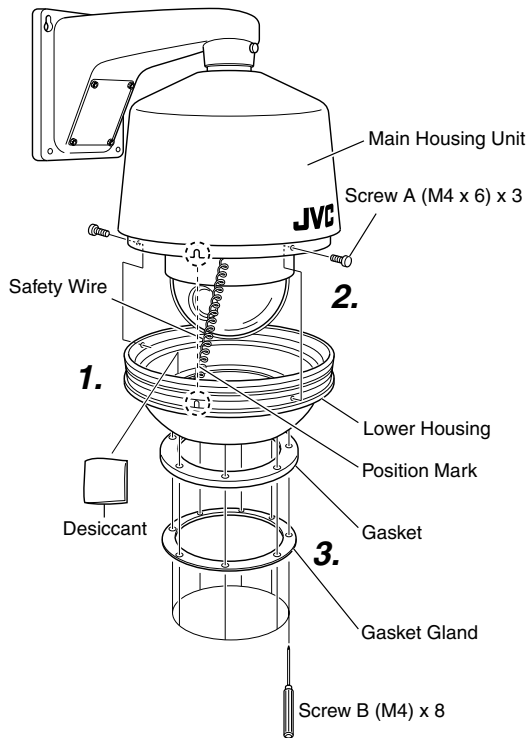
- Connect the communication cable to the alarm terminal if necessary. In addition, DC 12 V Power Cable is not in use on this system. For safety reasons, ensure to cut off any excess cable and bind using an insulating tape before use.
- For further details on connection, please refer to the instruction manual of the camera in use.

- 4. Mount the camera's ceiling mount to the main housing unit.**
Use the screws supplied (4 pcs) to mount the ceiling mount to the main housing unit.

NOTE:
During mounting, align the Δ mark of the ceiling mount with the notch on the camera mount bracket of the main housing unit.

- 5. Mount the camera to the ceiling mount**
Follow instructions in the manual of the camera in use to mount the camera to the ceiling mount.

Assembling the Housing



1. Mount the desiccant

Use a tape to adhere the supplied desiccant to the interior of the lower housing.

CAUTION:

- Fogging may occur when there are drastic temperature changes. In this case, continue using without turning off the power.
- Pay attention when handling the desiccant in order to maintain its effectiveness.
 - Do not remove it from the bag until you are about to use it.
 - Do not wet it or touch it with wet hands.
 - Assemble promptly upon adhering the desiccant.
 - Be sure to replace the desiccant during maintenance.

2. Mount the lower housing

Mount the lower housing that is dismantled in Step 2. (pg. 10) to the main housing unit using the 3 Screw A (M4 x 6).

Do so by aligning the position marks of the lower housing and the main housing unit.

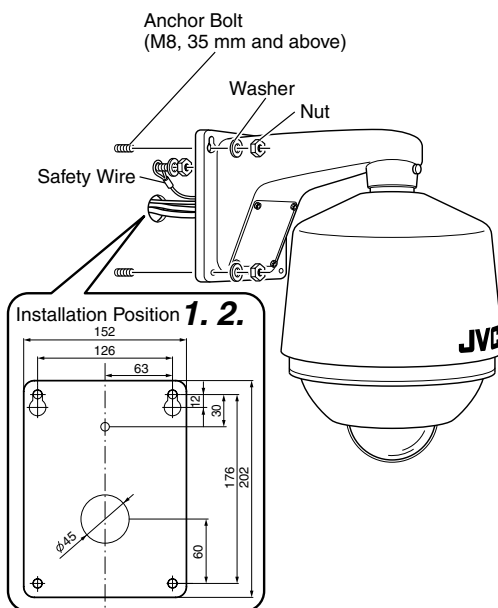
3. Mount the gasket and gasket gland

Mount the gasket and gasket gland that are dismantled in Step 1. (pg. 10) of the housing disassembly procedure to the lower housing using the 8 Screws B (M4).

CAUTION:

- During assembly, ensure that wires and cables are not caught in the housing.
- Do not exert force unnecessarily on the gasket or twist it during mounting.
- Check to ensure that the gasket is in close contact with the camera.

Mounting the Housing to the wall



1. Drill a hole into the wall.

Drill a hole (\varnothing 45 mm) for inserting the connection cable. (Refer to left fig.)

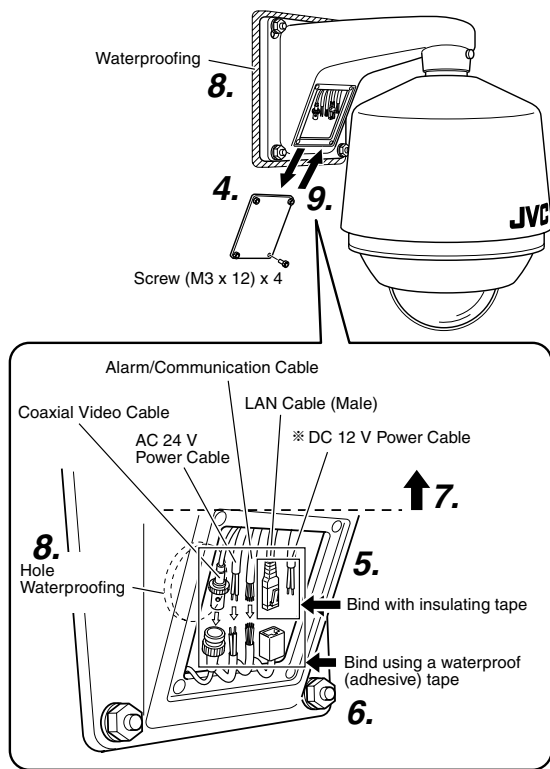
2. Affix anchor bolts onto the wall.

- Affix 4 anchor bolts (M8, 35 mm and above) for attaching the housing. (Refer to left fig.)
- Affix an anchor bolt for attaching the safety wire, in the middle (about 60 mm from both ends) of the 2 upper anchor bolts, 30 mm from the top. (Refer to left fig.)

3. Mount the safety wire and arm to the wall.

- Mount the safety wire attached to the housing, to the anchor bolts using the nut and wire.
- Use the nut and wire to mount the housing onto the wall.

Mounting the Housing to the Wall (continued)



※ Not in use on this system.

4. Open the cable connection cover

Use provided hexagon wrench to remove the 4 screws (M3 x 12) from the cable connection cover to open it.

5. Connect each cable

Connect the necessary cables.

CAUTION:

- Ensure to bind connectors of LAN cables that are not in use with an insulating tape before use.
- Ensure to bind the DC 12 V Power Cable that is not in use on this system with insulating tape.

6. Bind cable using a waterproof tape

Upon connecting, ensure to perform waterproofing procedures by binding the joint of each cable with a waterproof (adhesive) tape.

CAUTION:

For safety reasons, turn on the power only upon connecting all cables.

7. Fasten the cables in the interior of the arm

When waterproofing is complete, insert the cables into the upper interior of the arm and fasten using a tape.

CAUTION:

When inserting the cables, ensure that all cable connections are above the cable connection cover (see dotted line in the left diagram). Failure to do so may cause malfunctions due to penetration of rain water.

8. Cover the hole and the mounting side of housing with waterproof seal.

After the cables have been connected, cover the holes made in step 1. with waterproof seal. With the Cable connection cover open, put your hand in and cover the hole. Cover the mounting side of the housing with waterproof seal.

NOTE:

Be sure to perform waterproofing. Seepage of rainwater may result in malfunction.

9. Close the cable connection cover

When cable connection is complete, close the cable connection cover and fasten the 4 screws (M3 x 12) removed in step 4. using the provided hexagon wrench.

Others

Specifications

WB-1540

General

Power / Voltage : AC 24 V 50 Hz/60 Hz (Main Housing Unit)
 Power Consumption : 25 W (During heater operation, excluding camera)
 Installation Location : Outdoor (general)
 Ambient Temperature : -20 °C to 50 °C (when equipped with TK-C625U/E)
 : -20 °C to 40 °C (when equipped with VN-C625U)
 Heater Operation Temperature (Internal temperature)
 : Heater turns ON between 8 °C ± 5 °C
 Turns OFF between 20 °C ± 5 °C
 Ambient Humidity : 35 % to 90 %
 Vibration / Shock : Locations without vibration/shock
 Dustproof / Waterproof : IP66
 ※ When combined with compatible camera
 Permissible Wind Speed : 40 m/s or below

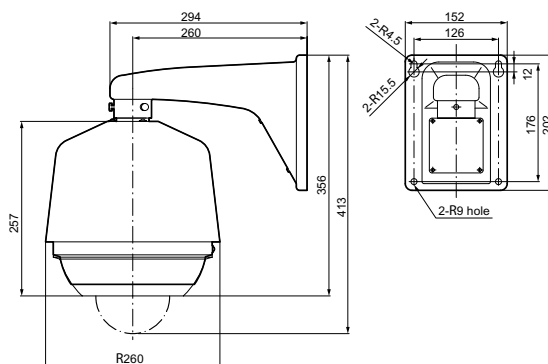
Mass: 5.0 kg

Accessories:

Instructions 1
 Desiccant..... 1
 Screw (M4×20)..... 4
 Hexagon wrench..... 1

Compatible Cameras: TK-C625U/E, VN-C625U

Dimensional Outline Drawing (Unit: mm)



※ Specifications and appearance of this unit as well as related products may be modified for improvement without prior notice.

WB-1550

General

Power / Voltage : AC 24 V 50 Hz/60 Hz (Main Housing Unit)
 Power Consumption : 25 W (During heater operating, excluding camera)
 Installation Location : Outdoor (general)
 Ambient Temperature : -20 °C to 50 °C (when equipped with TK-C676E, TK-C655E)
 : -20 °C to 40 °C (when equipped with VN-C655U)
 Heater Operation Temperature (Internal temperature)
 : Heater turns ON between 8 °C ± 5 °C
 Turns OFF between 20 °C ± 5 °C
 Ambient Humidity : 35 % to 90 %
 Vibration / Shock : Locations without vibration/shock
 Dustproof / Waterproof : IP66
 ※ When combined with compatible camera
 Permissible Wind Speed : 40 m/s or below

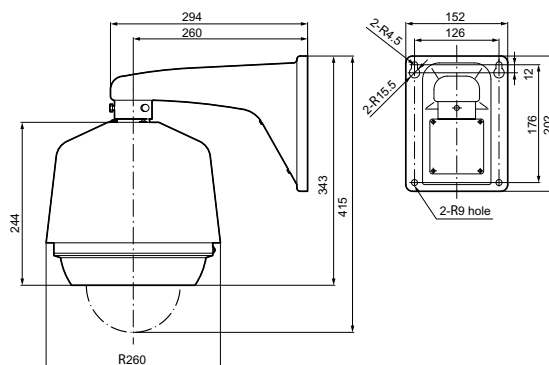
Mass: 4.8 kg

Accessories:

Instructions 1
 Desiccant..... 1
 Screw (M4×20)..... 4
 Hexagon wrench..... 1

Compatible Cameras: TK-C676E, TK-C655E, VN-C655U

Dimensional Outline Drawing (Unit: mm)



※ Specifications and appearance of this unit as well as related products may be modified for improvement without prior notice.

WB-1540/WB-1550 OUTDOOR HOUSING

JVC